

(12) INTERNATIONAL APPLICATION PUBLISHED UNDER THE PATENT COOPERATION TREATY (PCT)

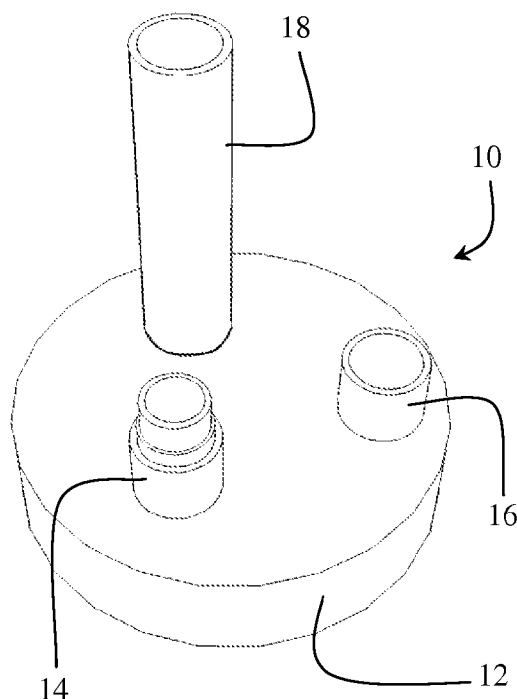
(19) World Intellectual Property
Organization
International Bureau(10) International Publication Number
WO 2012/016244 A3(43) International Publication Date
2 February 2012 (02.02.2012)

- (51) International Patent Classification:
F16L 55/163 (2006.01) *F16L 55/162* (2006.01)
F16L 55/164 (2006.01)
- (21) International Application Number:
PCT/US2011/046159
- (22) International Filing Date:
1 August 2011 (01.08.2011)
- (25) Filing Language: English
- (26) Publication Language: English
- (30) Priority Data:
61/369,439 30 July 2010 (30.07.2010) US
- (71) Applicant (for all designated States except US): **PERMALINER INDUSTRIES, INC** [US/US]; 13000 Automobile Blvd, Suite 300, Clearwater, Florida 33762 (US).
- (72) Inventors; and
(75) Inventors/Applicants (for US only): **D'HULSTER, Gerald** [US/US]; 13000 Automobile Blvd, Suite 300, Clearwater, Florida 33762 (US). **GOULD, James** [US/US]; 13000 Automobile Blvd, Suite 300, Clearwater, Florida 33762 (US).
- (74) Agent: **TONER, Thomas**; Innovus Law Group, 3802 Spectrum Blvd, Suite 145, Tampa, Florida 33612 (US).
- (81) Designated States (unless otherwise indicated, for every kind of national protection available): AE, AG, AL, AM, AO, AT, AU, AZ, BA, BB, BG, BH, BR, BW, BY, BZ, CA, CH, CL, CN, CO, CR, CU, CZ, DE, DK, DM, DO, DZ, EC, EE, EG, ES, FI, GB, GD, GE, GH, GM, GT, HN, HR, HU, ID, IL, IN, IS, JP, KE, KG, KM, KN, KP, KR, KZ, LA, LC, LK, LR, LS, LT, LU, LY, MA, MD, ME, MG, MK, MN, MW, MX, MY, MZ, NA, NG, NI, NO, NZ, OM, PE, PG, PH, PL, PT, RO, RS, RU, SC, SD, SE, SG, SK, SL, SM, ST, SV, SY, TH, TJ, TM, TN, TR, TT, TZ, UA, UG, US, UZ, VC, VN, ZA, ZM, ZW.
- (84) Designated States (unless otherwise indicated, for every kind of regional protection available): ARIPO (BW, GH, GM, KE, LR, LS, MW, MZ, NA, SD, SL, SZ, TZ, UG, ZM, ZW), Eurasian (AM, AZ, BY, KG, KZ, MD, RU, TJ, TM), European (AL, AT, BE, BG, CH, CY, CZ, DE, DK, EE, ES, FI, FR, GB, GR, HR, HU, IE, IS, IT, LT, LU, LV, MC, MK, MT, NL, NO, PL, PT, RO, RS, SE, SI, SK, SM, TR), OAPI (BF, BJ, CF, CG, CI, CM, GA, GN, GQ, GW, ML, MR, NE, SN, TD, TG).

[Continued on next page]

(54) Title: APPARATUS AND METHOD FOR HEAT CURING OF PIPE LINERS

Fig. 1



(57) Abstract: An apparatus and method that accelerates curing of resin in a liner for a buried pipe includes an air inversion unit connected to an air compressor. The apparatus includes a curing cap having an inflation port, a curing port and a drainage port. A flexible tube is slidably received by the curing port while maintaining a substantially fluid-tight seal. The flexible tube has a first end in fluid communication with the outlet of the manifold and the second end has a substantially spherical guide thereon. The second end of the flexible tube also includes a plurality of perforations to allow fluids to pass there through.

WO 2012/016244 A3



Declarations under Rule 4.17:

— *of inventorship (Rule 4.17(iv))*

Published:

— *with international search report (Art. 21(3))*

— *before the expiration of the time limit for amending the claims and to be republished in the event of receipt of amendments (Rule 48.2(h))*

(88) Date of publication of the international search report:
31 May 2012